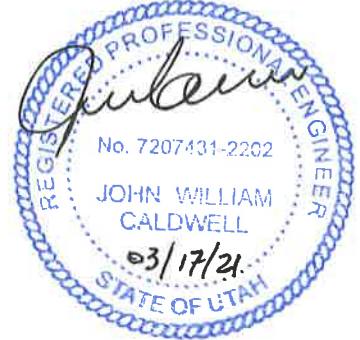
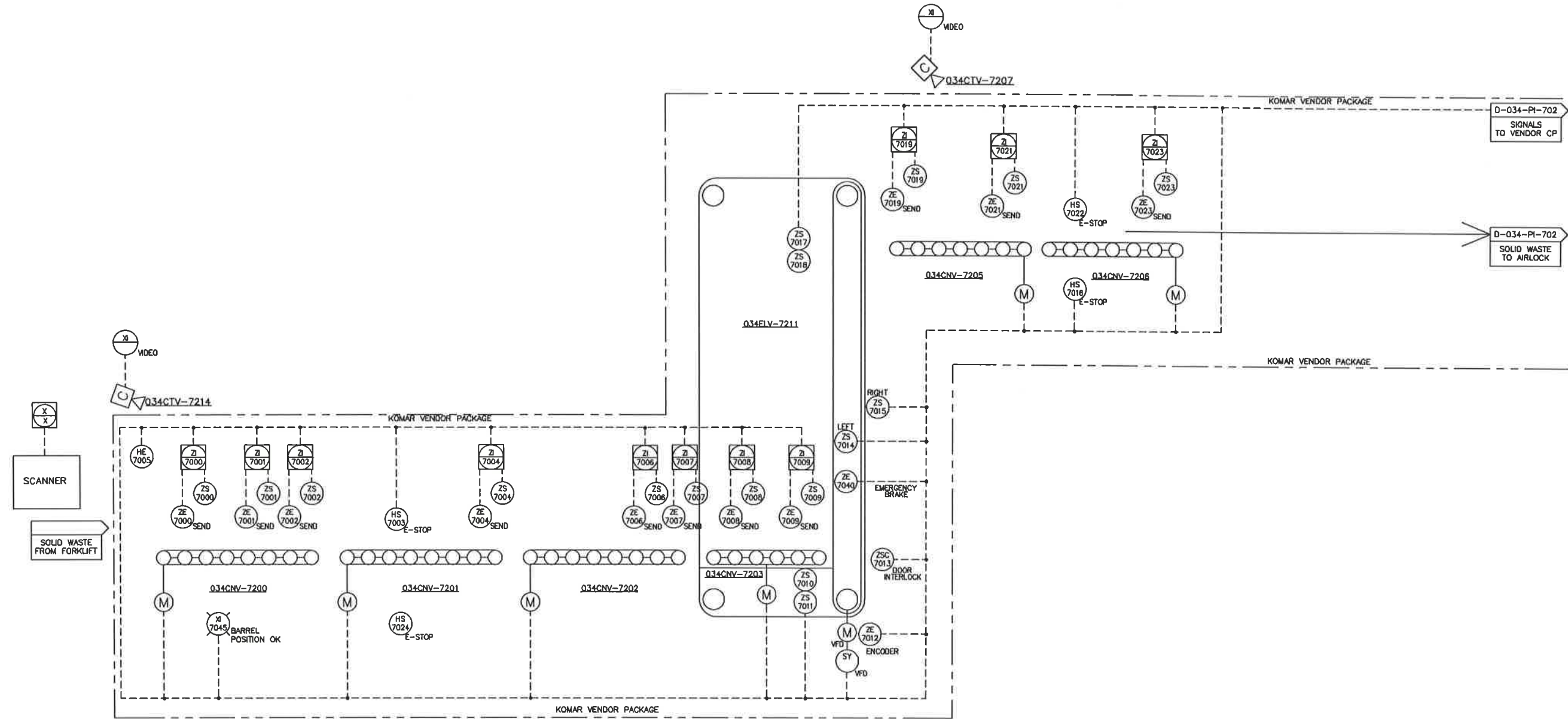


034CNV-7200 PALLETIZED FEED STAGING CONVEYOR #1
 034CNV-7201 PALLETIZED FEED STAGING CONVEYOR #2
 034CNV-7202 PALLETIZED FEED STAGING CONVEYOR #3
 034CNV-7203 PALLETIZED FEED STAGING CONVEYOR #4
 034FLV-7211 PALLETIZED FEED ELEVATOR CONVEYOR
 034CNV-7205 PALLETIZED FEED AIRLOCK STAGING CONVEYOR #1
 034CNV-7206 PALLETIZED FEED AIRLOCK STAGING CONVEYOR #2



PEC18057 - D-034-PI-701 FMP/CJP 02/21/20

INTERLOCK DESCRIPTION	REVISIONS						REVISIONS						APPROVALS		 REGISTERED PROFESSIONAL ENGINEER No. 7207431-2202 JOHN WILLIAM CALDWELL 03/17/21 STATE OF UTAH
	NO	DESCRIPTION	DATE	BY	CHK	ENG MGR	NO	DESCRIPTION	DATE	BY	CHK	ENG MGR	BY	DATE	
	1	GENERAL REVISIONS	2/8/19	PEC									PEC	11/28/18	
	2	PERMIT	11/28/19	PEC											
	3	ISSUE FOR ELECTRICAL BID REFERENCE	4/24/20	PEC											
	4	AS-BUILT DRAWING	3/12/21	MM											

REGISTERED PROFESSIONAL ENGINEER
 DATE: _____
 SCALE: NONE
 TOGGLE SITE: _____
 JOB NO: _____
 CAD NO: D-034-PI-701
 CLEANHARBORS DWG NO: D-034-PI-701
 REV: 0